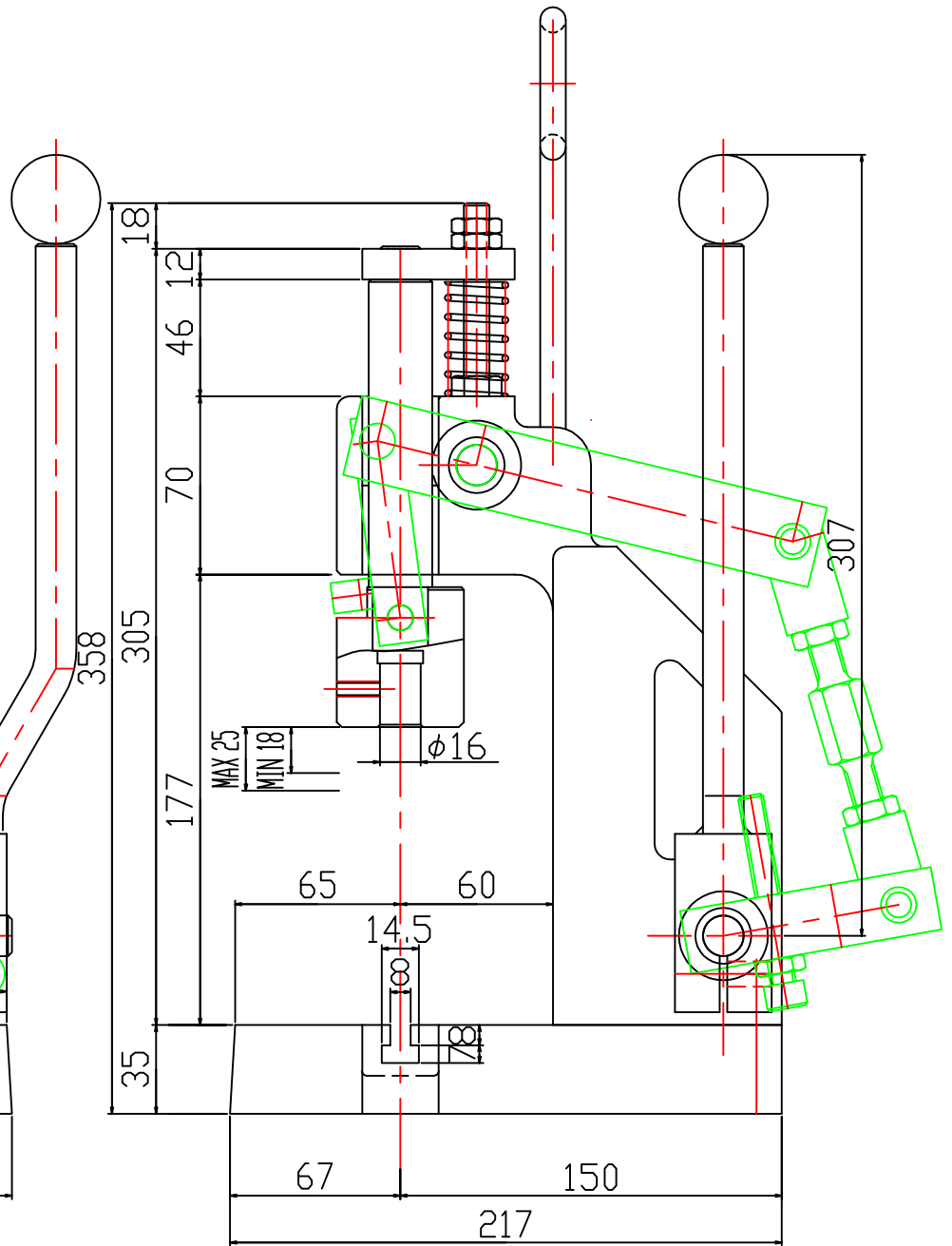
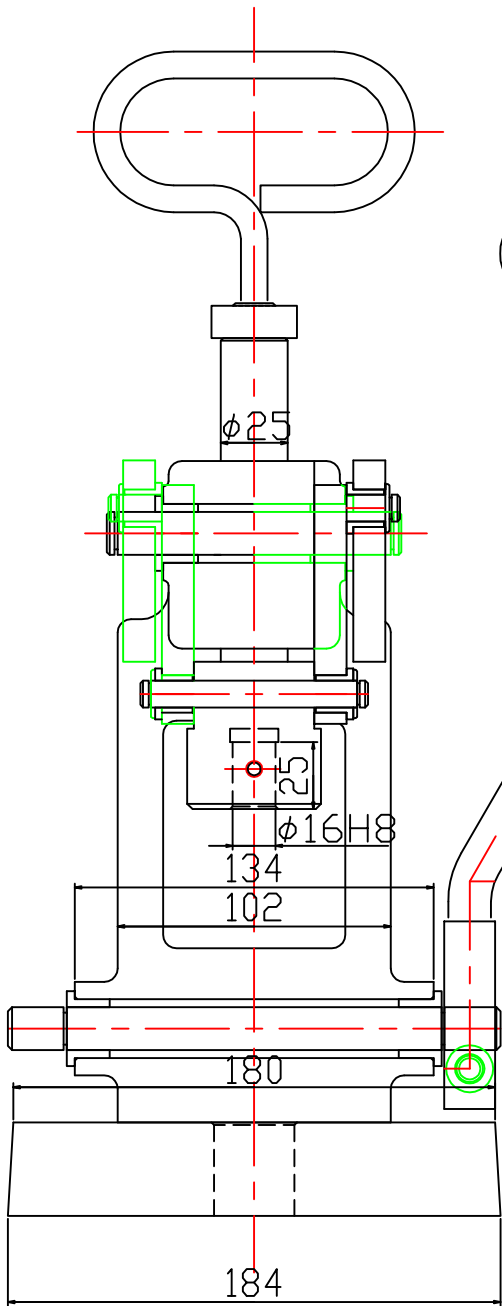
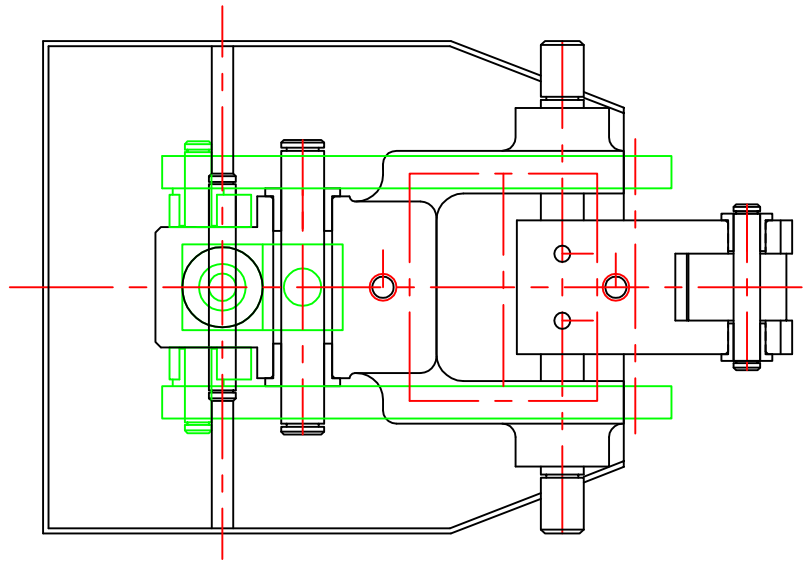
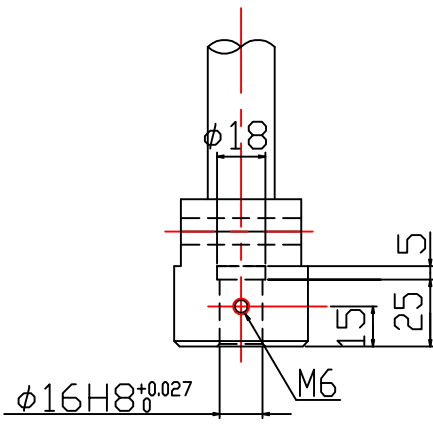


ラム寸法図



※仕上時 指示ナキ角摩部ハC0.5面取トスル(必ず)

FINISHING	TREATMENT	MATERIAL	QUANTITY	CUSTOMER
				MACHINE NAME T-1型
		SCALE 1/1	DATE	UNIT NAME
		MATLEY		PARTS NAME 外觀図
		DESIGNED BY	DRAWN BY	PARTS NO
				A1