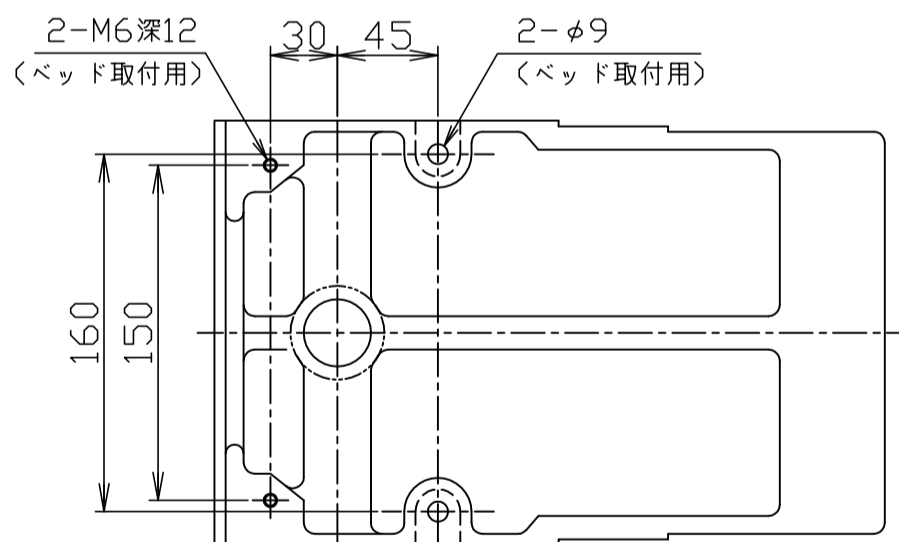
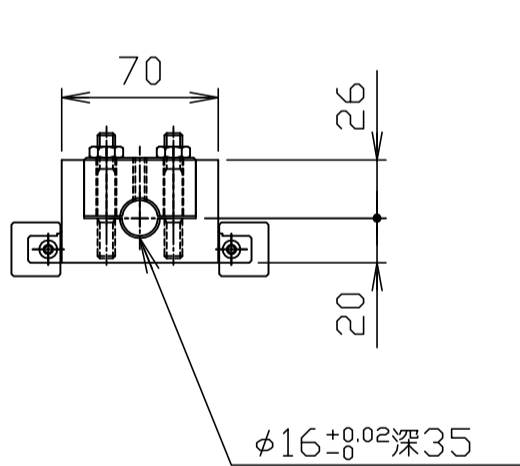
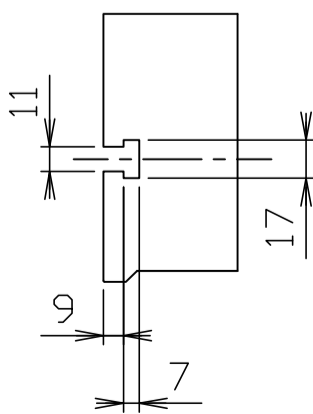
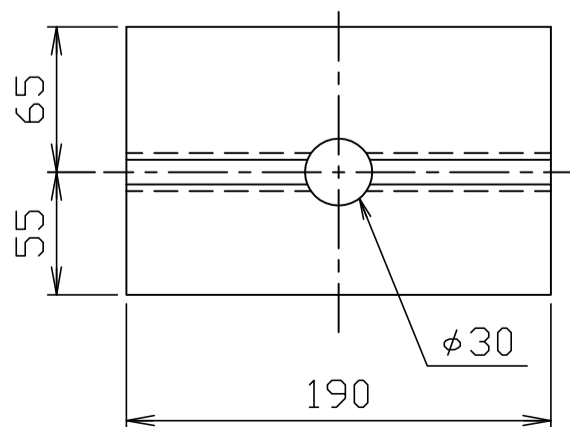


ラム下面寸法図



ベッド寸法図



FINISHING	TREATMENT	MATERIAL	QUANTITY	CUSTOMER	NSC-06
				MACHINE NAME	600型(ブラシレスモータ式)
				UNIT NAME	
				PARTS NAME	外観図
				PARTS NO	
THIRD ANGLE PROJECTION		SCALE	1/3.5	DATE	
		MATEX		CHECKED BY	DESIGNED BY
				DRAWN BY	A3