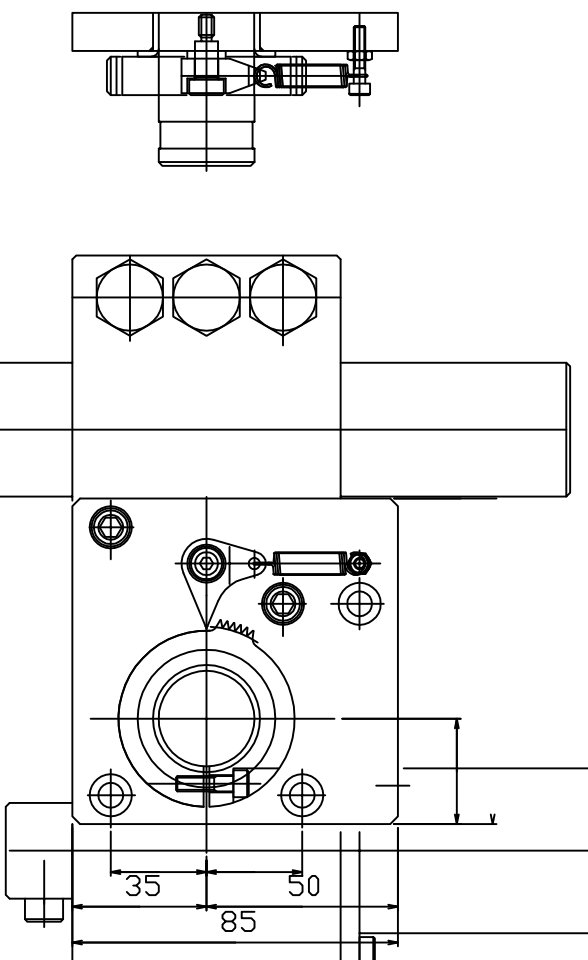
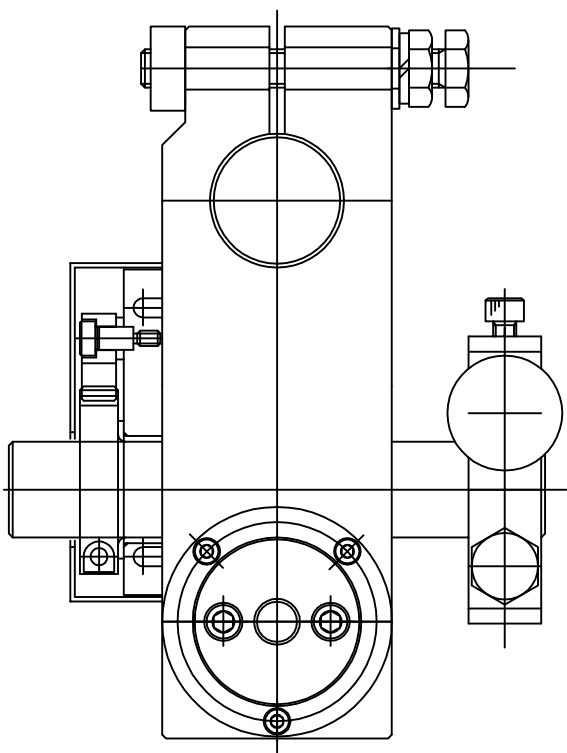
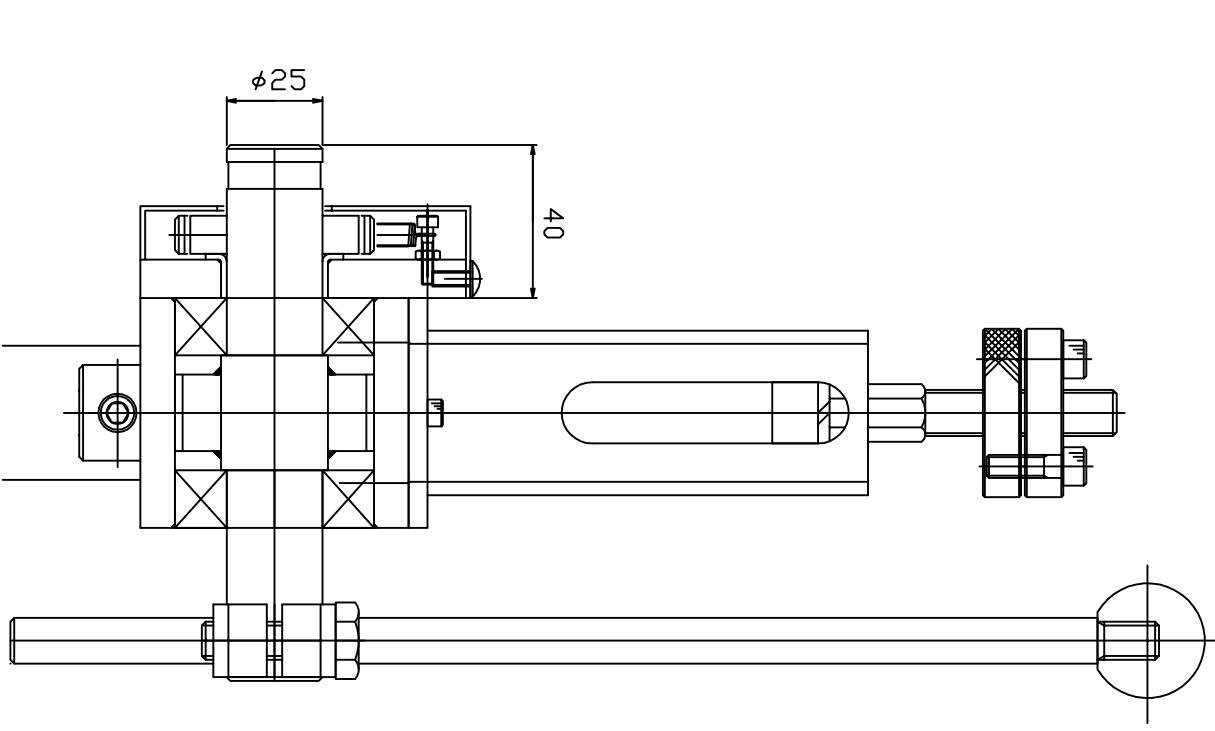


下死点前10mm(H-1L)  
下死点前15mm(H-1L)

下死点前21mm(H-1L)  
下死点前31.5mm(H-1L)



	H-1	H-1L
加工-7	40st	60st
7以用寸*	總長24φ±2.0 (PCD48)	總長36φ±2.0 (PCD72)
加工角度	95.5°±40mm (1°→0.42mm)	95.5°±60mm (1°→0.63mm)
最小加工-7 (4個組)	25st (50°→21mm)	35st (50°→31.5mm)



FINISHING TREATMENT MATERIAL QUANTITY CUSTOMER

SCALE 1/1 DATE

MACHINE NAME  
UNIT NAME  
PARTS NAME

THIRD ANGLE PROJECTION CHECKED BY  
DRAWN BY  
PARTS NO