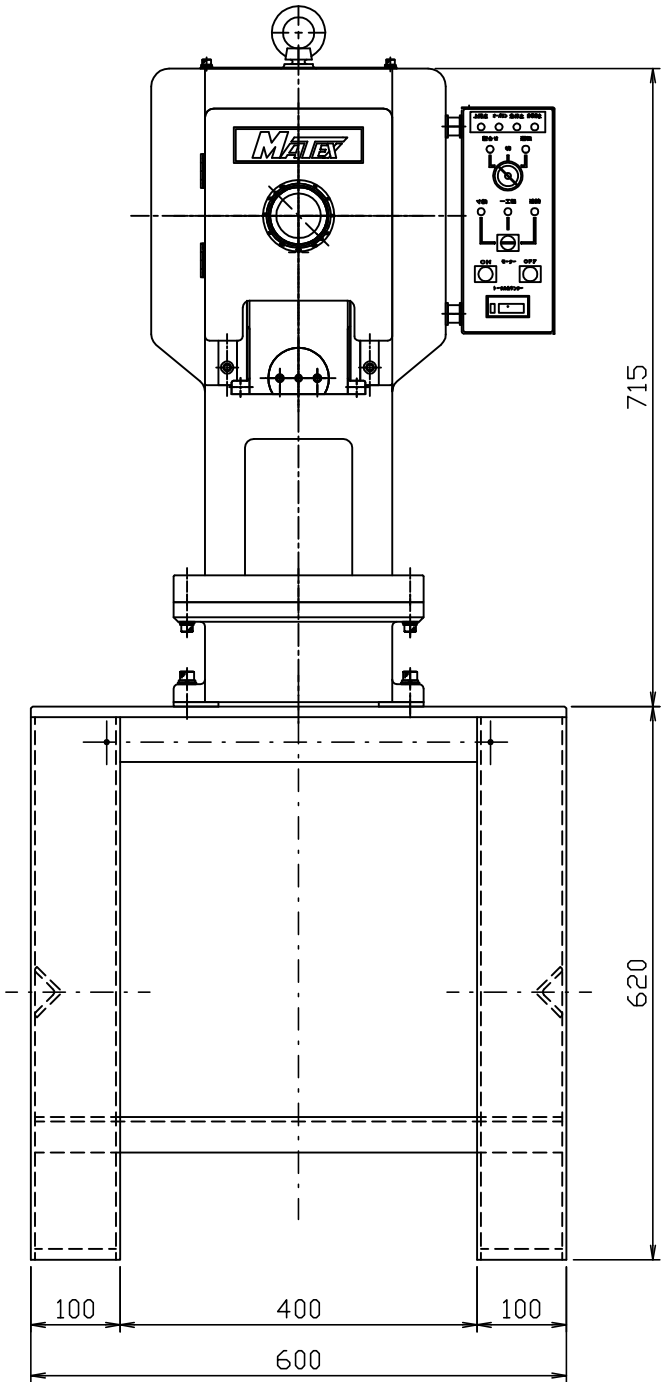
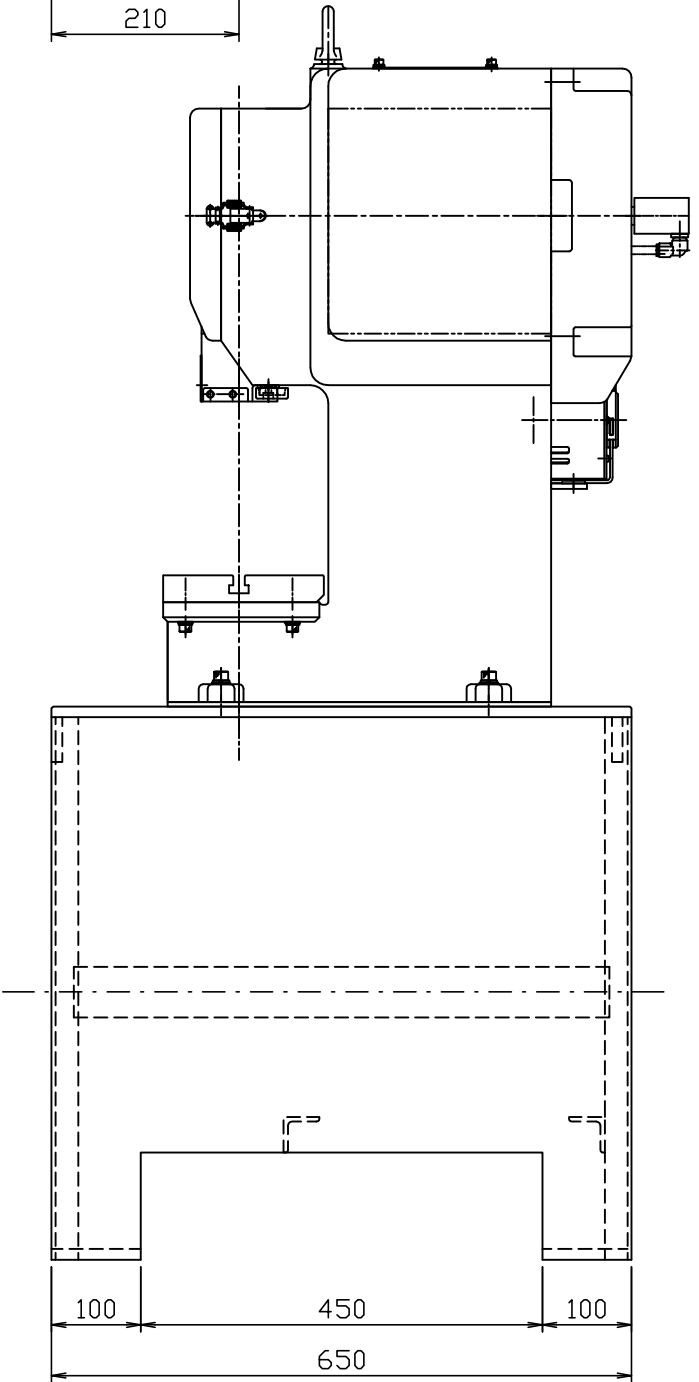
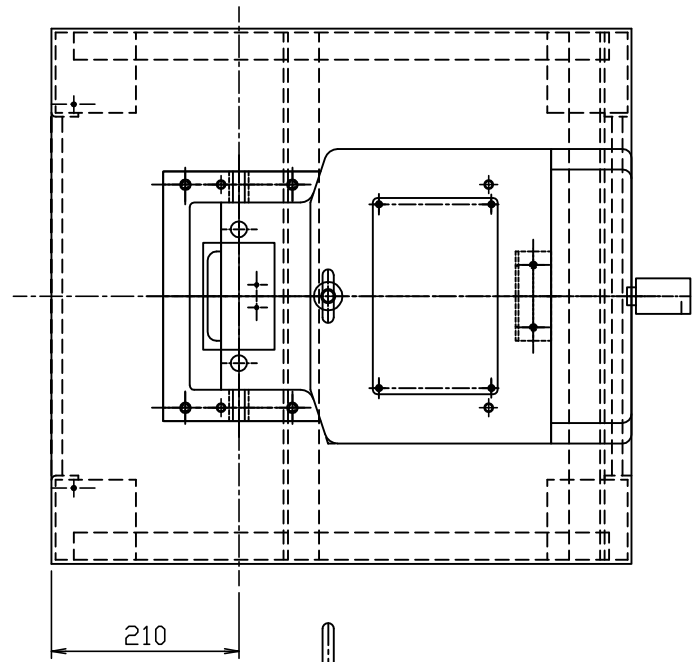
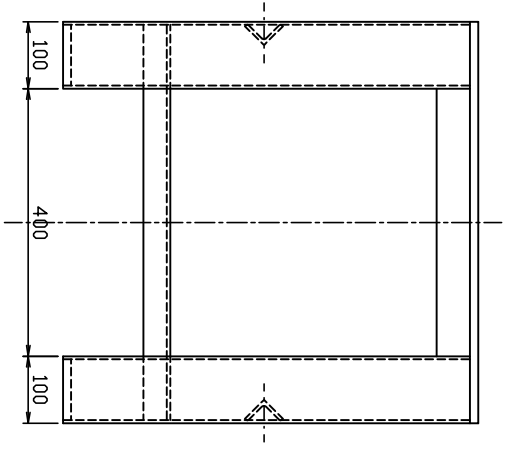


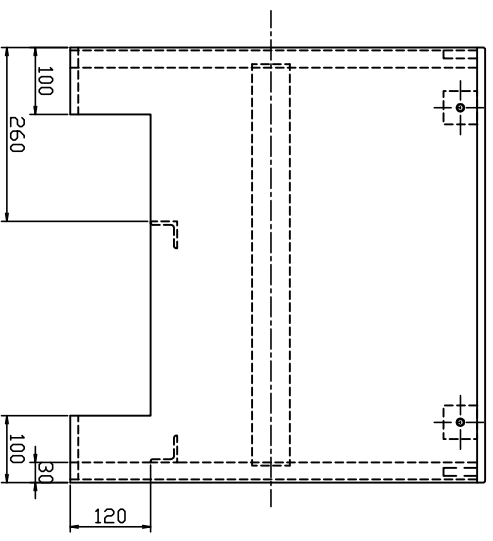
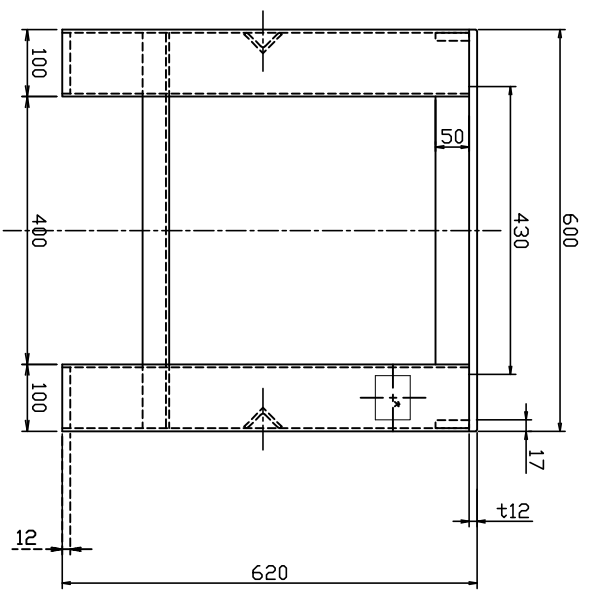
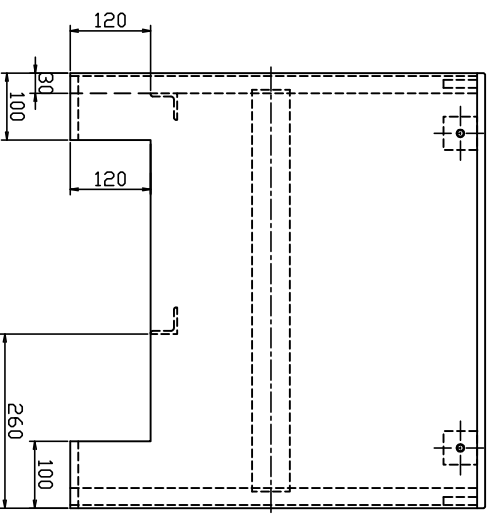
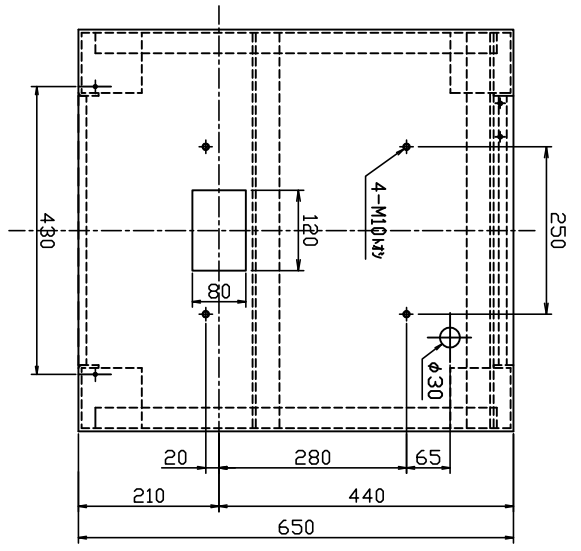
FIGURE NO.	TREATMENT	MATERIAL	QUANTITY/CUSTOMER
SCALE	1/3	DATE	
MACHINE NAME	CB-3型		
PARTS NAME	外箱図		
PARTS NO.	A1		



FINISHING	TREATMENT	MATERIAL	QUANTITY	MACHINE NAME
				CB-3型プレス
		SCALE 1/3	DATE	UNIT NAME
		<b>MAITEX</b>		PARTS NAME 全体図
		CHECKED BY	DESIGNED BY	DRAWN BY
				CODE PARTS NO



後面



指示がキ面AのCO5ト2J4

FINISHING	TREATMENT	MATERIAL	QUANTITY	CUSTOMER
(▽▽▽▽▽)		t=4.5 SS400	1	
SCALE	UNIT NAME	MACHINE NAME	PARTS NAME	
1/4	mm		架台	
MANUFACTURE NUMBER	NAME	DATE	PARTS NO	
			CB3-001	