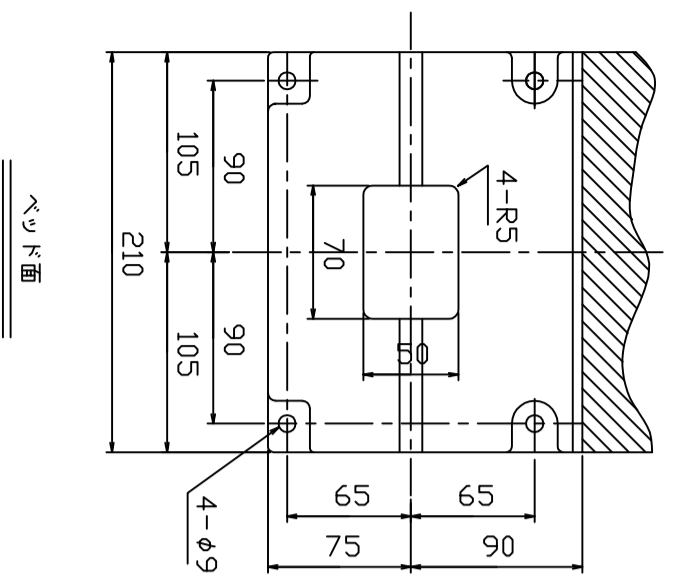
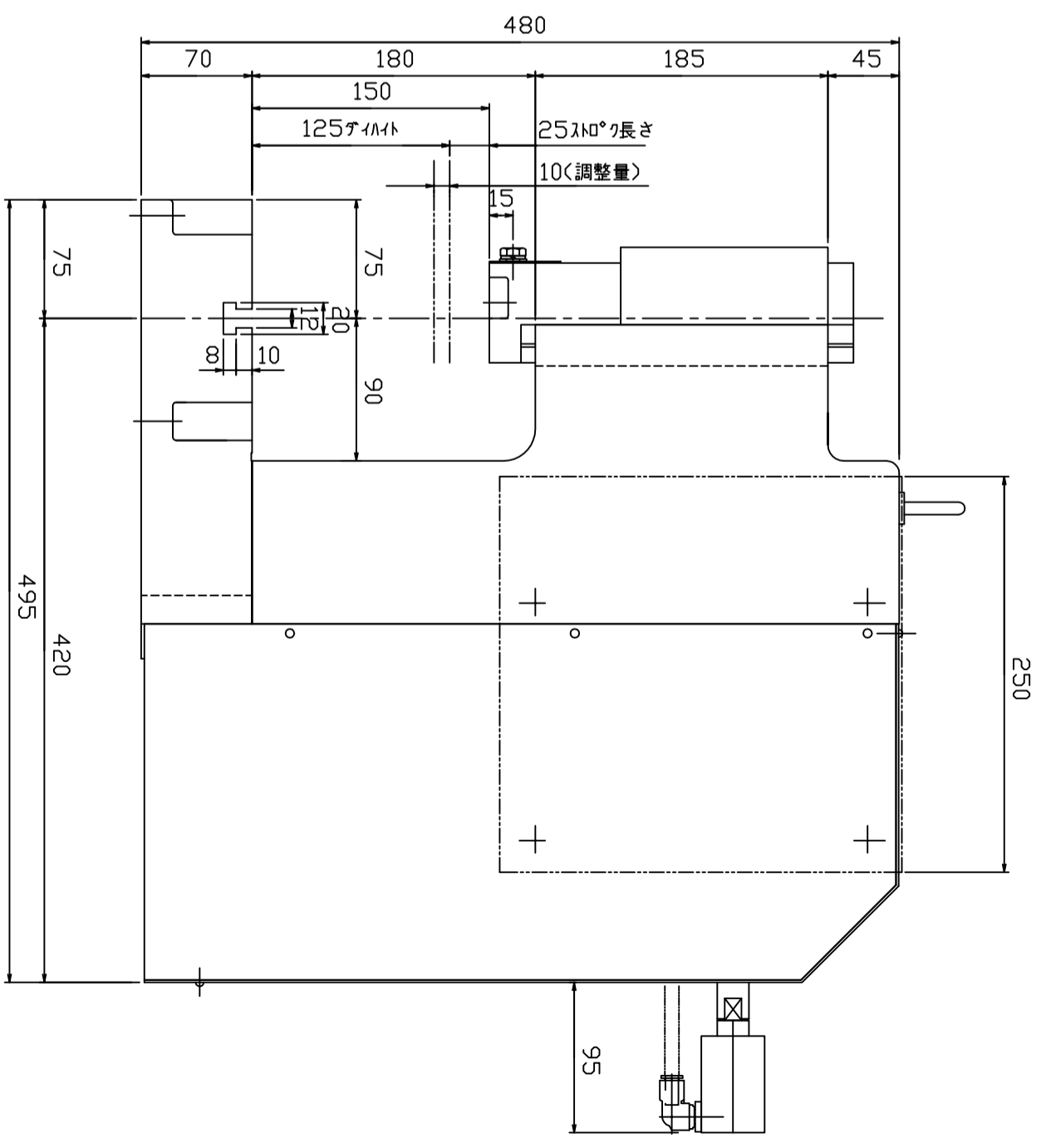
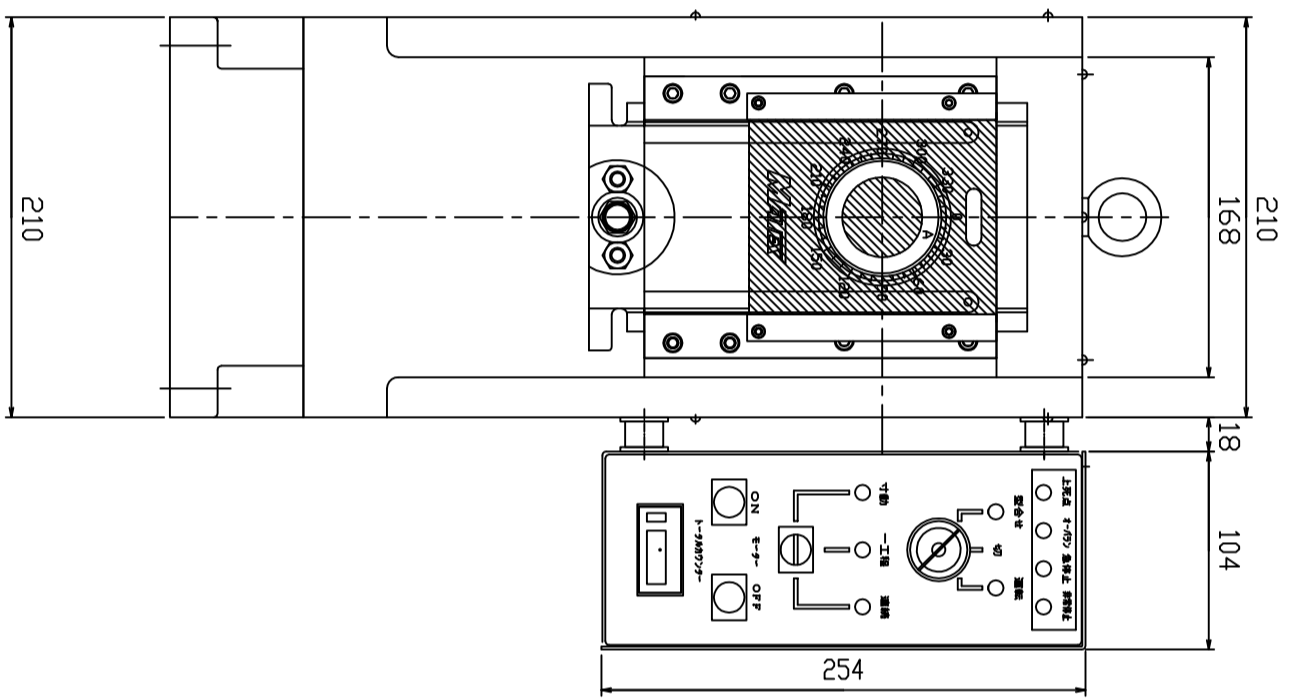


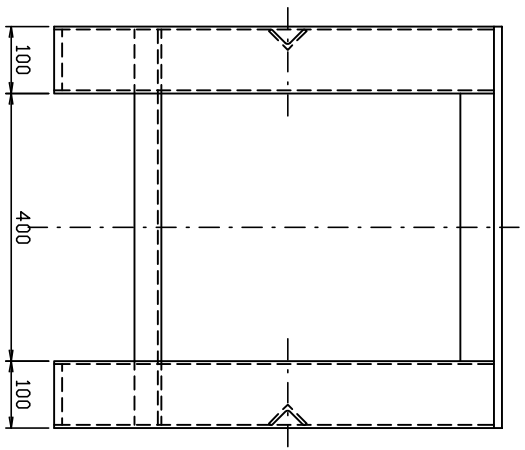
ラテ下面



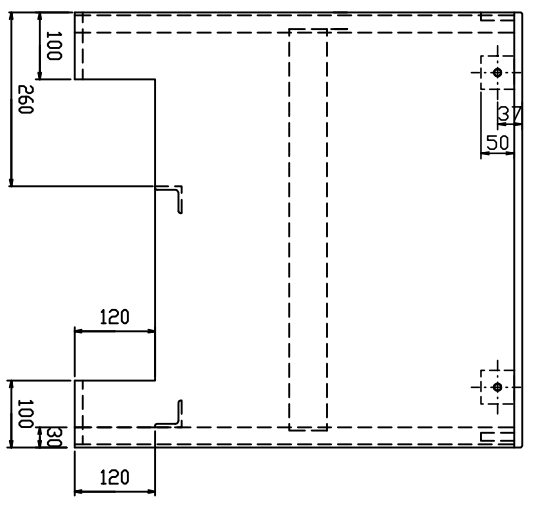
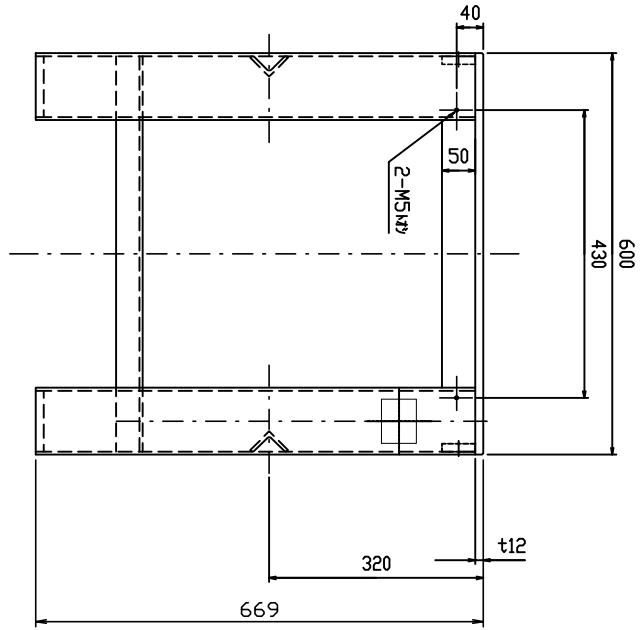
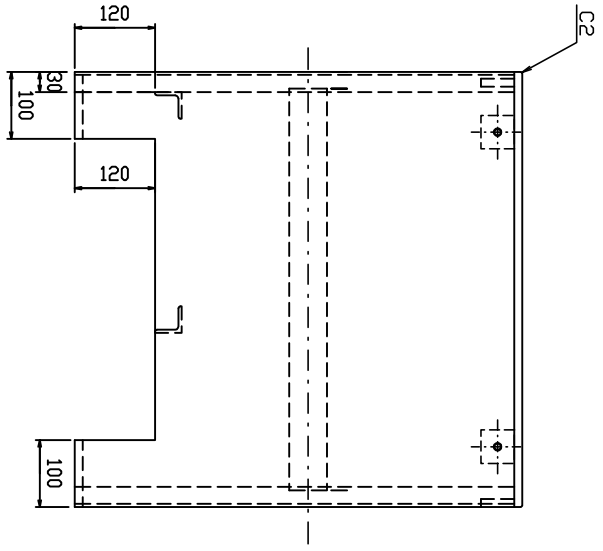
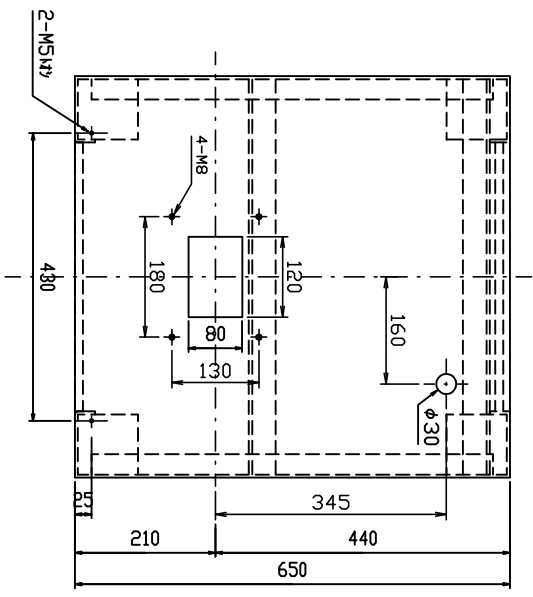
ラテ下面



FINISHING	TREATMENT	MATERIAL	QUANTITY	MACHINE NAME
				CB-1 型
SCALE	1/2	DATE	01.4.20	
THIRD ANGLE PROJECTION	CHECKED	DESIGNED	DRAWN	BY
				中西 大石
CODE	PARTS NO	PARTS NAME	UNIT NAME	
		外観図		
				CB1-000



後面



指示ナキ面ハCO5ト2J4

FINISHING	TREATMENT	MATERIAL	QUANTITY	CUSTOMER
△	塗装	t=4.5 SS400	1	
△	SCALE	1/4	DATE	
△				
FRONT NUMBER	NAME	PARTS NAME		
A1		架台		
PARTS NO	CB1-060			